

DSA Master Crafted Doors

Complete Collection, Single and Double Doors, Outswing

INSTALLATION ANCHORAGE DETAILS

GENERAL NOTES:

1. THIS PRODUCT IS DESIGNED TO COMPLY WITH THE CURRENT EDITION OF THE FLORIDA BUILDING CODE - BUILDING AND RESIDENTIAL REQUIREMENTS INCLUDING THE HIGH VELOCITY HURRICANE ZONE (HVHZ) AT THE DESIGN PRESSURE(S) STATED HEREIN. THE PRODUCT DETAILS CONTAINED HEREIN ARE BASED UPON SIGNED AND SEALED TEST REPORT NO. ATLNC 0624.01-19 DATED 5/13/20 AND ASSOCIATED LABORATORY STAMPED DRAWINGS, SIGNED AND SEALED BY DAVID WESLEY JOHNSON, FL PE NO. 61915. TESTING WAS PERFORMED TO THE FOLLOWING:
 - 1.1. ASTM E330-02, ASTM E331-00, ASTM E283-04
 - 1.2. TAS 201-94, TAS 202-94 AND TAS 203-94
2. ADEQUACY OF THE EXISTING STRUCTURAL CONCRETE / MASONRY AND 2X FRAMING AS A MAIN WIND FORCE RESISTING SYSTEM CAPABLE OF WITHSTANDING AND TRANSFERRING APPLIED PRODUCT LOADS TO THE STRUCTURE IS THE RESPONSIBILITY OF THE ARCHITECT OR ENGINEER OF RECORD.
3. 1X AND 2X BUCKS (WHEN USED) SHALL BE DESIGNED AND ANCHORED TO PROPERLY TRANSFER ALL LOADS TO THE STRUCTURE. BUCK DESIGN AND INSTALLATION IS THE RESPONSIBILITY OF THE ARCHITECT OR ENGINEER OF RECORD.
4. IN AREAS WHERE WIND-BORNE DEBRIS PROTECTION REQUIREMENTS EXIST, USE OF AN APPROVED IMPACT PROTECTIVE SYSTEM IS NOT REQUIRED WITH THIS PRODUCT.
5. DOOR FRAME AND PANEL MATERIAL: MAHOGANY, KNOTTY-ALDER, AND ACCOYA
6. GLAZING: 1" OVERALL THICKNESS: 5/32" TEMPERED, AIR SPACE (XL EDGE SPACER), 5/16" LAMINATED (1/8" ANNEALED x KURARAY AMERICA 0.090 SG INTERLAYER x 1/8" ANNEALED). GLAZED USING DOW 995 STRUCTURAL ADHESIVE GRADE SEALANT.
 - 6.1. GLASS MEETS THE REQUIREMENTS OF ASTM E1300-12AE1 & ANSI Z97.1-2014.
7. SITE CONDITIONS THAT DEVIATE FROM THE DETAILS OF THIS DRAWING REQUIRE FURTHER ENGINEERING EVALUATION BY A LICENSED ENGINEER OR REGISTERED ARCHITECT.
8. DESIGNATIONS "X" AND "O" (WHERE APPLICABLE) STAND FOR THE FOLLOWING:
 - 8.1. X: OPERABLE PANEL
 - 8.2. O: FIXED PANEL
9. HARDWARE (AS-TESTED; SUBSTITUTIONS ALLOWED PER FBC REQUIREMENTS):
 - 9.1. MULTI-POINT LOCK AND HANDLES BY ASHLAND HARDWARE; MODEL V-5100-560.
 - 9.2. HINGES: (10) STEEL 4-1/2" X 4-1/2" BALL BEARING HINGES BY PHILADELPHIA HARDWARE.
 - 9.3. THRESHOLD: ENDURA BUMP SILL #ZOB56DBFN
10. INTERIOR AND EXTERIOR FINISHING AND PERIMETER SEALING ARE FOR ILLUSTRATIVE PURPOSES ONLY. THESE DRAWINGS CERTIFY THE DOOR INSTALLATION ONLY. WATER SEALING OF THE INSTALLED DOOR IS NOT PART OF THIS INSTALLATION CERTIFICATION. WATER SEALING SHALL BE THE RESPONSIBILITY OF THE INSTALLER.
 - 10.1. PERIMETER AND JOINT SEALANT BY OTHERS TO BE DESIGNED IN ACCORDANCE WITH THE FBC RESIDENTIAL AND BUILDING AND WITH FMA/AAMA/WDMA PROTOCOLS OR AS RECOMMENDED BY THE MANUFACTURER.

INSTALLATION NOTES:

1. INSTALLATION ANCHORAGE SHALL BE LOCATED AS SHOWN IN THE FOLLOWING ELEVATION VIEWS.
 - 1.1. 2X WOOD FRAMING OR BUCKING SUBSTRATES SHOWN ON SHEET 3
 - 1.2. CONCRETE AND MASONRY SUBSTRATES AS SHOWN ON SHEET 4.
2. SPECIFIC INSTALLATION DETAILS ARE SHOWN ON THE FOLLOWING SHEETS.
 - 2.1. 2X WOOD FRAMING OR BUCKING AT HEAD, SILLS OR JAMBS
 - 2.1.1. SEE DETAILS ON SHEET 6 FOR HEAD AND SILL INSTALLATION ANCHORAGE REQUIREMENTS.
 - 2.1.2. SEE DETAILS ON SHEET 7 FOR JAMB INSTALLATION ANCHORAGE REQUIREMENTS.
 - 2.2. CONCRETE OR MASONRY AT HEAD, SILLS OR JAMBS (OPTIONAL 1X WOOD BUCK ALLOWED)
 - 2.2.1. SEE DETAILS ON SHEET 8 FOR HEAD AND SILL INSTALLATION ANCHORAGE REQUIREMENTS.
 - 2.2.2. SEE DETAILS ON SHEET 9 FOR JAMB INSTALLATION ANCHORAGE REQUIREMENTS.
3. VERTICAL AND HORIZONTAL SECTION VIEWS ARE SHOWN ON THE FOLLOWING SHEETS.
 - 3.1. 2X WOOD FRAMING OR BUCKING AT HEAD, SILLS OR JAMBS
 - 3.1.1. SEE DETAILS ON SHEET 11 FOR VERTICAL SECTION VIEWS OF HEAD AND SILL.
 - 3.1.2. SEE DETAILS ON SHEET 12 FOR HORIZONTAL SECTION VIEWS OF JAMBS.
 - 3.2. CONCRETE OR MASONRY AT HEAD, SILLS OR JAMBS (OPTIONAL 1X WOOD BUCK ALLOWED)
 - 3.2.1. SEE DETAILS ON SHEET 13 FOR VERTICAL SECTION VIEWS OF HEAD AND SILL.
 - 3.2.2. SEE DETAILS ON SHEET 14 FOR HORIZONTAL SECTION VIEWS OF JAMBS.
4. INSTALLATION SCREW (ANCHORAGE) SPECIFICATION
 - 4.1. NO. 14 WOOD SCREWS.
 - 4.1.1. WOOD SCREWS SHALL MEET ANSI B18.6.1 AND BE A MINIMUM GRADE 2 STRENGTH
 - 4.1.2. MINIMUM EMBEDMENT IS 1-1/2". WOOD SCREW LENGTHS CAN BE VARIED IF NEEDED AS LONG AS MINIMUM EMBEDMENT IS MAINTAINED. THIS REQUIREMENT APPLICABLE TO SUBSTRATE EMBEDDED SCREWS ONLY.
 - 4.1.3. MINIMUM EDGE DISTANCE AND SPACING BETWEEN SCREW IS 1".
 - 4.2. 1/4" DIAMETER ELCO ULTRACON CONCRETE SCREWS
 - 4.2.1. MINIMUM EMBEDMENT IS 1-3/4" IN CONCRETE AND 1-1/4" IN MASONRY (CMU).
 - 4.2.2. MINIMUM EDGE DISTANCE IS 2-1/2".
 - 4.2.3. MINIMUM SPACING BETWEEN SCREWS IS 4".
 - 4.2.3.1. EXCEPTION: HINGE ANCHORAGE AS SHOWN ON SHEET 9, DETAIL10 HAS BEEN ACCOUNTED FOR. THE 3.39" SPACING BETWEEN ANCHORS IS ACCEPTABLE.
5. THE NUMBER OF INSTALLATION ANCHORS DEPICTED IS THE MINIMUM NUMBER OF ANCHORS TO BE USED FOR PRODUCT INSTALLATION AT THE MAXIMUM UNIT SIZE SHOWN. SMALLER UNIT SIZES CAN HAVE LESS ANCHORS AS LONG AS THE EDGE DISTANCE AND ON CENTER (O.C.) SPACING ARE THE SAME AS OR LESS THAN THAT SHOWN. INSTALLATION ANCHORS AT THE STRIKE PLATES AND HINGES SHALL REMAIN THE SAME.
6. SHIM AS REQUIRED AT EACH INSTALLATION ANCHOR WITH LOAD BEARING SHIM(S). MAXIMUM ALLOWABLE SHIM SIZE IS 1/4 INCH. SHIM WHERE SPACE OF 1/16 INCH OR GREATER OCCURS. SHIM(S) SHALL BE CONSTRUCTED OF HIGH DENSITY PLASTIC OR BETTER. SHIMS MAY NOT BE SHOWN IN THE SECTION VIEWS OF THIS DRAWING FOR CLARITY
7. MINIMUM EMBEDMENT AND EDGE DISTANCE EXCLUDE WALL FINISHES (INCLUDING BUT NOT LIMITED TO STUCCO, FOAM, BRICK VENEER AND SIDING).
8. SINGLE DOOR IS APPROVED AND SHALL BE INSTALLED IN A MANNER IN COMPLIANCE WITH THE REQUIREMENTS OF THIS PRODUCT APPROVAL DOCUMENT.

TABLE OF CONTENTS	
SHEET	DESCRIPTION
1	NOTES - GENERAL & INSTALLATION
2	ELEVATION XX
3	ELEVATION - ANCHOR LAYOUT - WOOD INSTALLATION
4	ELEVATION - ANCHOR LAYOUT - CONCRETE/MASONRY INSTALLATION
5	ELEVATIONS - HINGES & BRICK MOULD
6	WOOD INSTALLATION - DETAILS 1 THRU 6
7	WOOD INSTALLATION - DETAILS 7 THRU 11
8	CONCRETE INSTALLATION - DETAILS 1 THRU 6
9	CONCRETE/MASONRY INSTALLATION - DETAILS 7 THRU 11
10	DETAILS - MISCELLANEOUS
11	SECTIONS - VERTICAL - WOOD INSTALLATION
12	SECTIONS - HORIZONTAL - WOOD INSTALLATION
13	SECTIONS - VERTICAL - CONCRETE INSTALLATION
14	SECTIONS - HORIZONTAL - CONCRETE/MASONRY INSTALLATION
15	MULTIPOINT LOCK LAYOUT
16	PANEL CONSTRUCTION - MULTIPOINT LOCK DETAIL
17 THRU 19	APPROVED CONFIGURATIONS

PERFORMANCE RATING			
MAXIMUM UNIT DIMENSIONS	DESIGN PRESSURE RATING (PSF)	WATER PENETRATION RATING	IMPACT RATING
76" X 123-1/16" XX OUTSWING	±70.0	SEE NOTE 1 & 2	HVHZ LARGE MISSILE IMPACT
	+19.5 / -70	SEE NOTE 1 & 3	
NOTE 1: PRODUCT TESTED FOR LIMITED WATER PENETRATION RESISTANCE AT 19.5 PSF POSITIVE DESIGN PRESSURE. NOTE 2: THE PRODUCT MUST BE USED WHERE WATER PENETRATION IS NOT REQUIRED OR WHERE AN OVERHANG MEETING THE REQUIREMENTS OF THE CURRENT EDITION OF THE FLORIDA BUILDING AND RESIDENTIAL CODES HAS BEEN EMPLOYED. NOTE 3: WHERE DP REQUIREMENTS DO NOT EXCEED +19.5/-70 PSF, THE PRODUCT CAN BE USED WITHOUT OVERHANG.			

PROJECT #420-0601				
				DATE
				BY

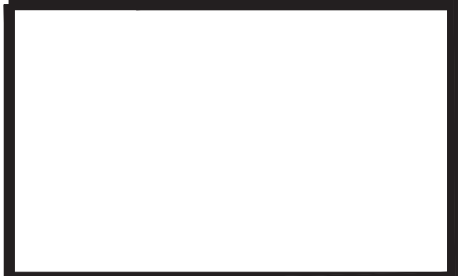
DSA Master Crafted Doors
10681 World Trade Blvd
Raleigh, NC 27617

TITLE: Complete Collection, Single and Double Doors, OUTSWING
NOTES - GENERAL & INSTALLATION

DRAWN BY: RJA
SCALE: N.T.S.
REV: ---

DATE: 10/10/2020
DRAWING NO.: DSA0007
SHEET: 1 OF 19

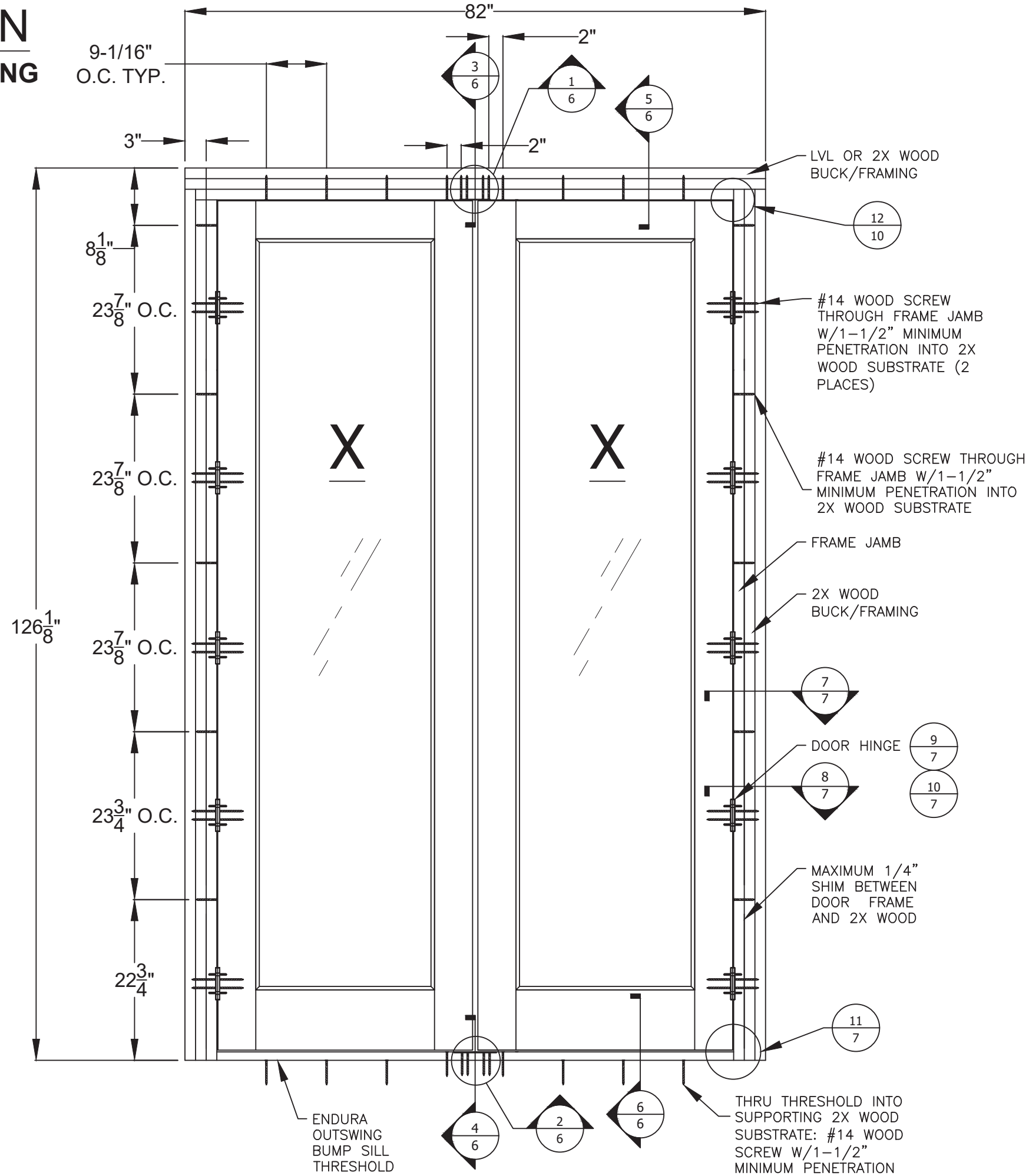
PTC PRODUCT DESIGN GROUP, LLC
10000 WOODBRIDGE BLVD
LONGWOOD, FLORIDA 32752
FBPE C.A. NO. 256935
Phone: 321.690.1788
Fax: 321.690.1789
Email: info@ptc-corp.com



Robert J. Amoroso, P.E.
Florida P.E. No. 49752

XX ELEVATION

2X WOOD BUCK/FRAMING INSTALLATION



PROJECT #420-0601							

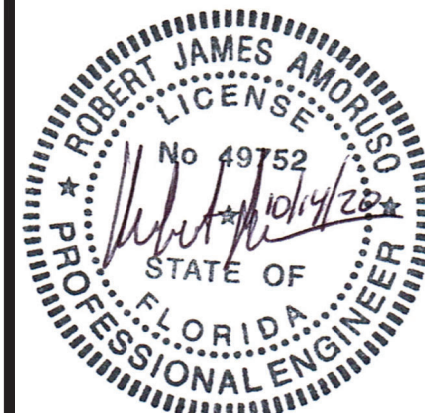
DSA Master Crafted Doors
10681 World Trade Blvd
Raleigh, NC 27617

TITLE: Complete Collection, Single and Double Doors, OUTSWING
ELEVATION - ANCHOR LAYOUT - WOOD

PREPARED BY: RJA
DATE: 10/10/2020
DRAWING NO.: DSA0007
SCALE: N.T.S.
SHEET: 3 OF 19

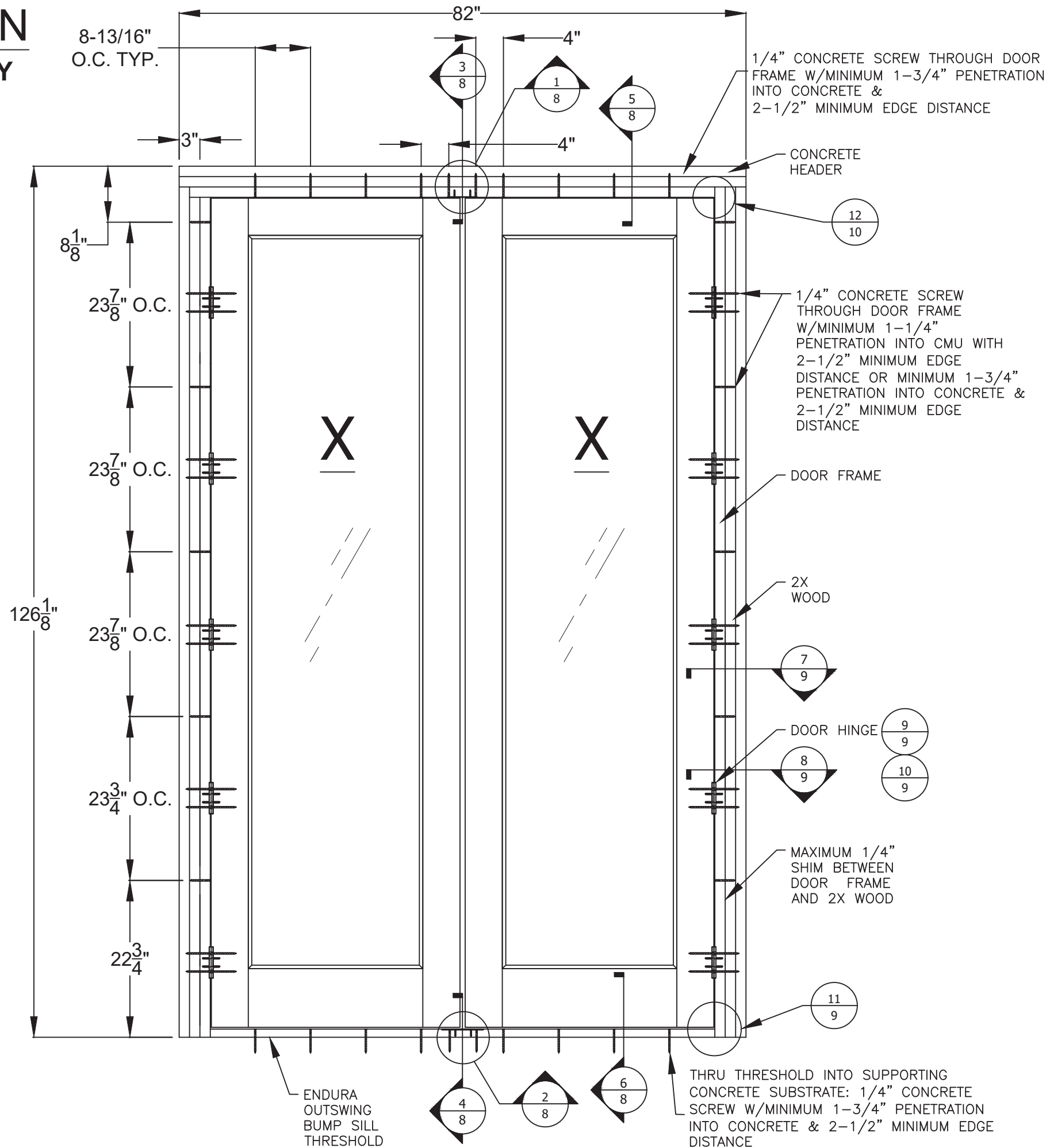
PTC PRODUCT DESIGN GROUP, LLC
LONGWOOD, FLORIDA 32752
PHONE: 321.690.1788
FAX: 321.690.1789
EMAIL: info@ptc-corp.com

Robert J. Amoruso, P.E.
Florida P.E. No. 49752



XX ELEVATION

CONCRETE/MASONRY INSTALLATION



PROJECT #420-0601

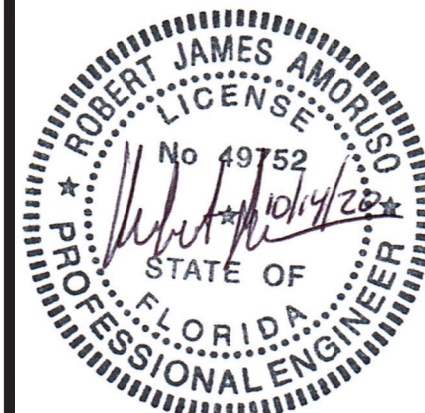
DSA Master Crafted Doors
10681 World Trade Blvd
Raleigh, NC 27617

TITLE: Complete Collection, Single and Double Doors, OUTSWING
ELEVATION - ANCHOR LAYOUT - CONCRETE/MASONRY

PREPARED BY: RJA
DATE: 10/10/2020
DRAWING NO.: DSA0007
SCALE: N.T.S.
SHEET: 4 OF 19



Robert J. Amoruso, P.E.
Florida P.E. No. 49752

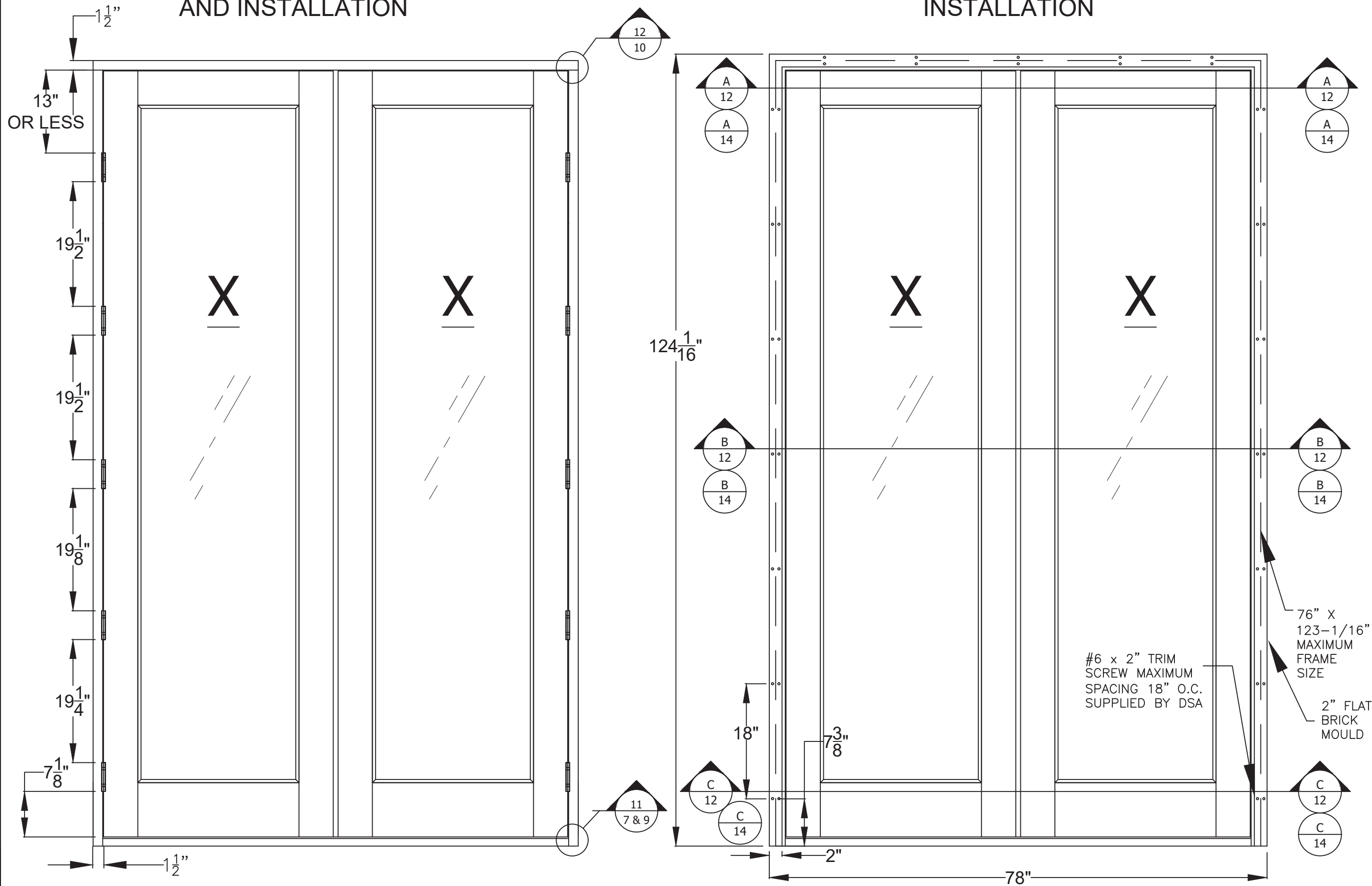


ELEVATION

XX HINGE LOCATION AND INSTALLATION

ELEVATION

XX BRICK MOULD INSTALLATION



PROJECT #420-0601

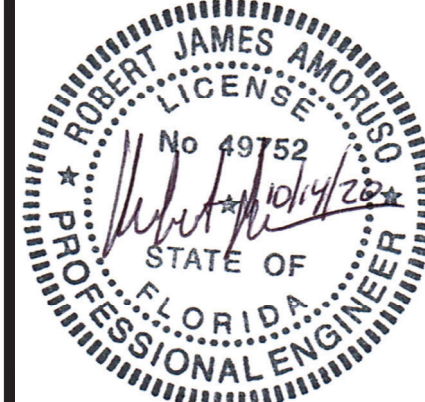
DSA Master Crafted Doors
10681 World Trade Blvd
Raleigh, NC 27617

TITLE: Complete Collection, Single and Double Doors, OUTSWING
ELEVATIONS - HINGES & BRICK MOULD

DATE:	10/10/2020
DRAWING NO.:	DSA0007
SCALE:	N.T.S.
REV.:	---
SHEET:	5 OF 19

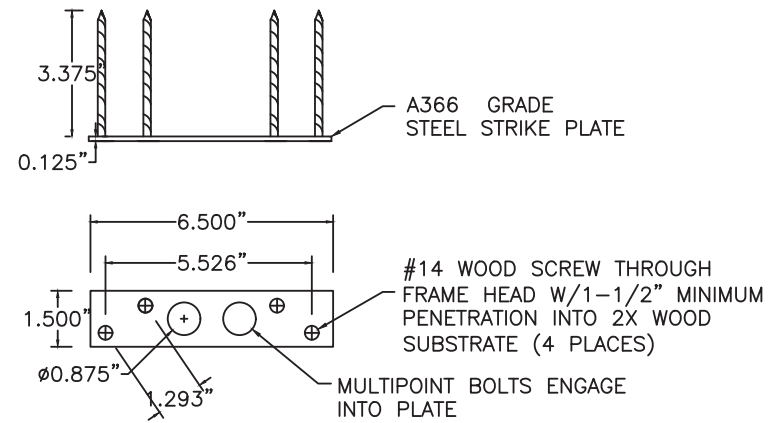


Robert J. Amoruso, P.E.
Florida P.E. No. 49752

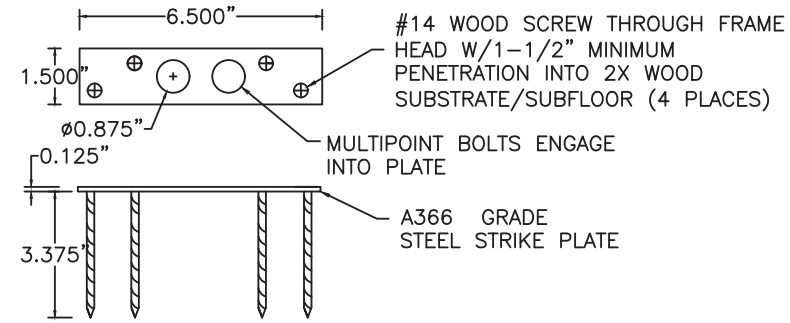


DETAILS

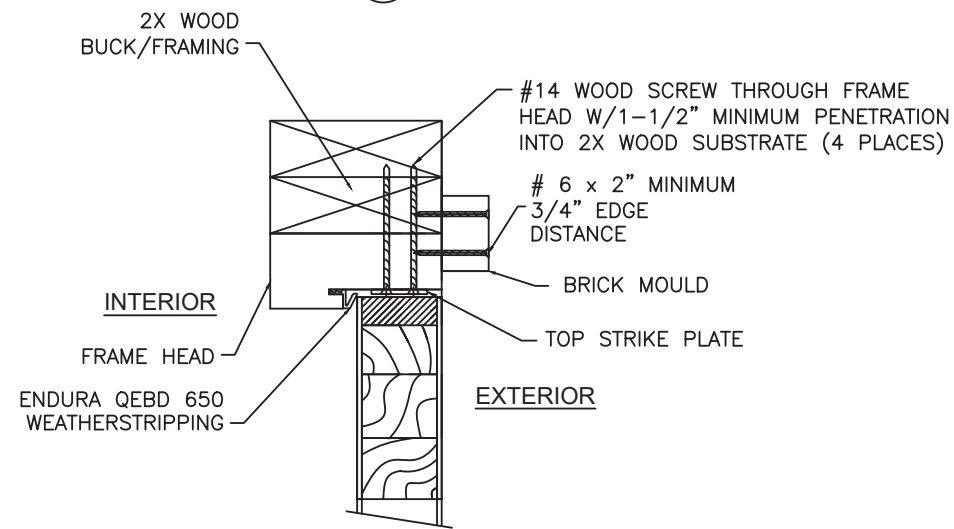
2X WOOD BUCK/FRAMING INSTALLATION



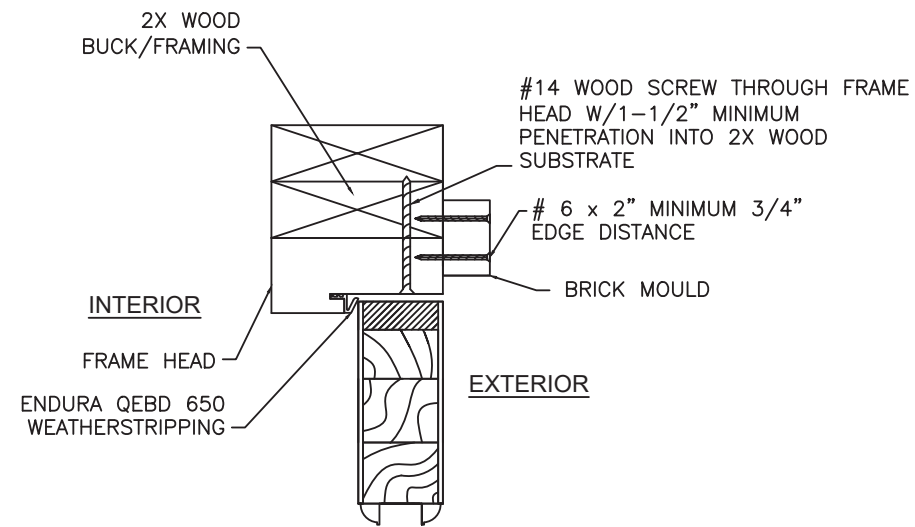
1 TOP STRIKE PLATE



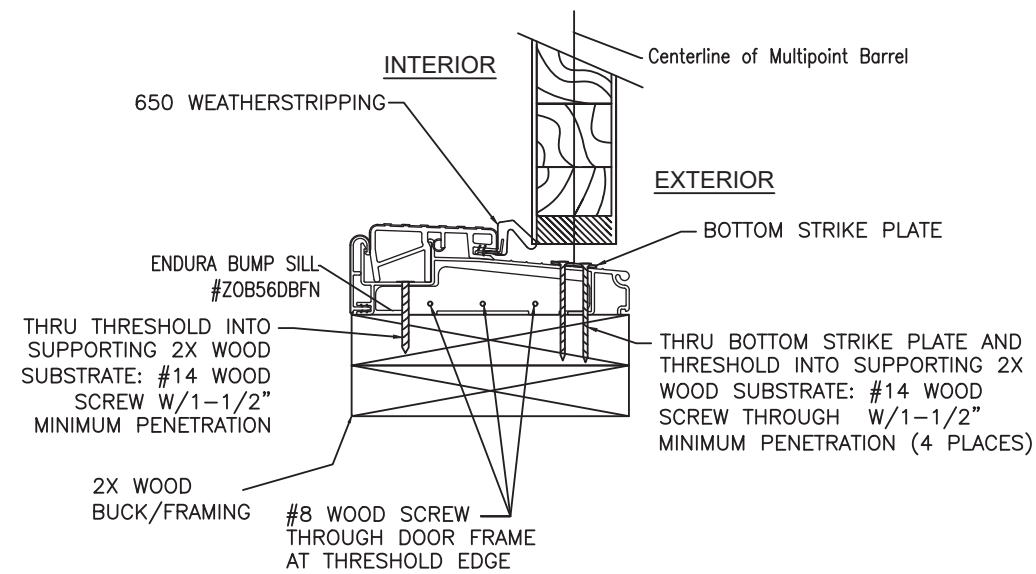
2 BOTTOM STRIKE PLATE



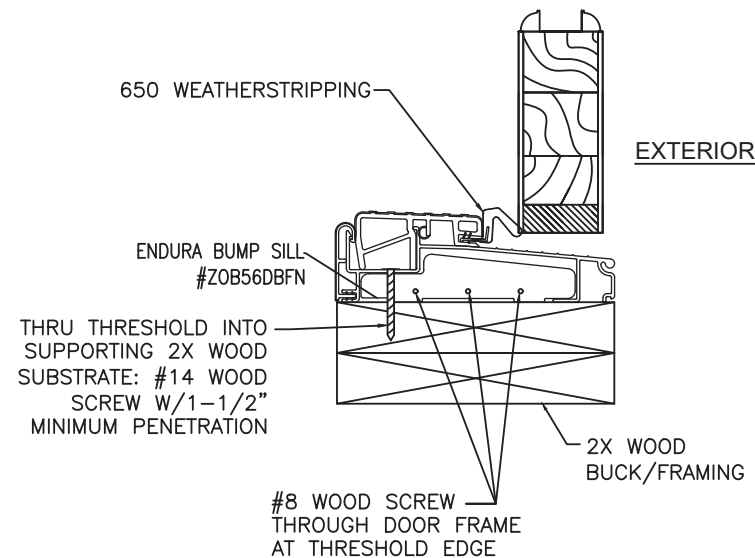
3 HEAD ANCHORAGE AT STRIKE PLATE



5 HEAD ANCHORAGE AT FRAME HEAD



4 THRESHOLD SECTION AT STRIKE PLATE



6 THRESHOLD SECTION AT SILL

PROJECT #420-0601

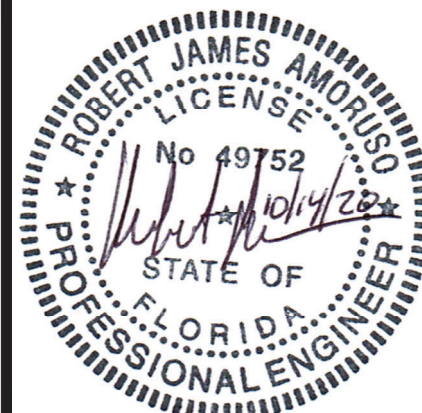
DSA Master Crafted Doors
10681 World Trade Blvd
Raleigh, NC 27617

TITLE: Complete Collection, Single and Double Doors, OUTSWING
WOOD INSTALLATION - DETAILS 1 THRU 6

PREPARED BY: RJA
DRAWN BY: RJA
DATE: 10/10/2020
SCALE: N.T.S.
DRAWING NO.: DSA0007
REV: ---
SHEET: 6 OF 19

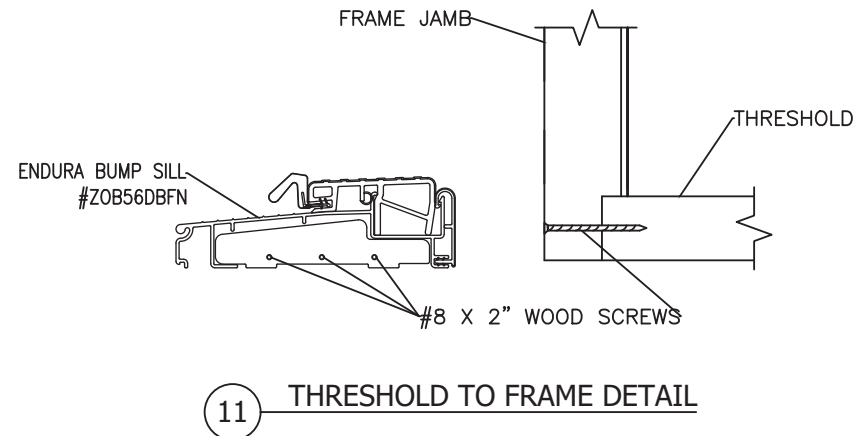
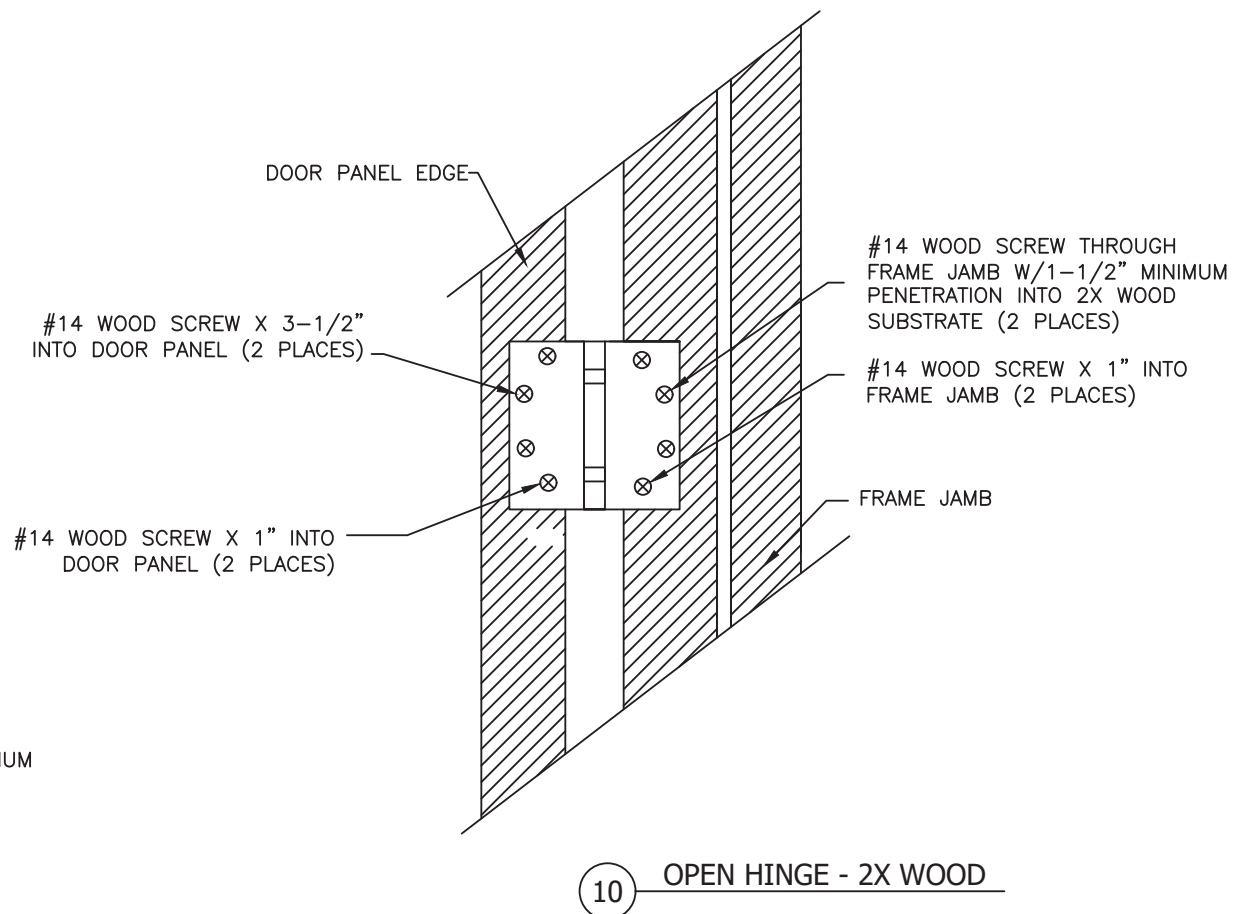
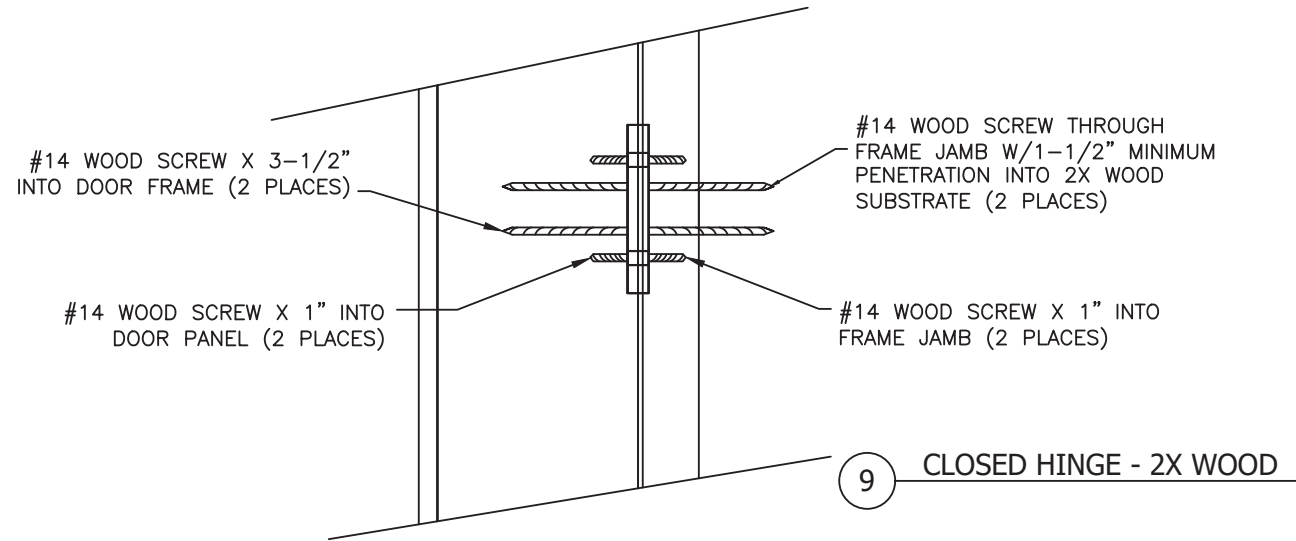
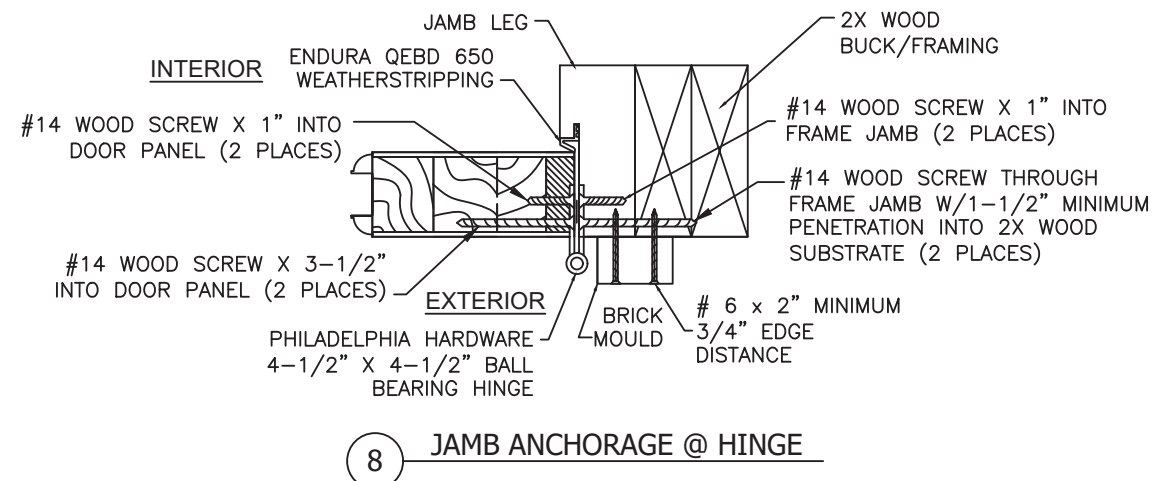
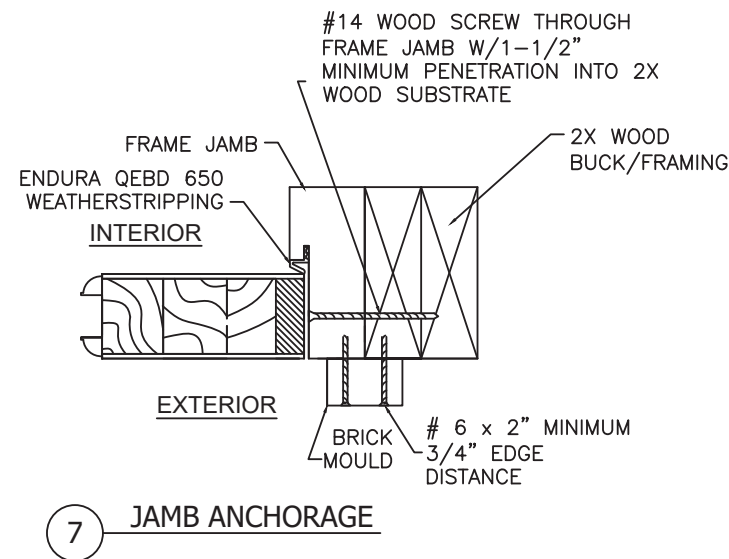


Robert J. Amoruso, P.E.
Florida P.E. No. 49752



DETAILS

2X WOOD BUCK/FRAMING INSTALLATION



PROJECT #420-0601

DSA Master Crafted Doors
10681 World Trade Blvd
Raleigh, NC 27617

TITLE: Complete Collection, Single and Double Doors, OUTSWING
WOOD INSTALLATION - DETAILS 7 THRU 11

PREPARED BY: RJA

DATE: 10/10/2020

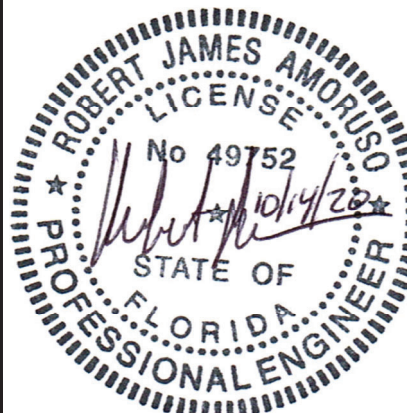
DRAWING NO.: DSA0007

SCALE: N.T.S.

REV: ---

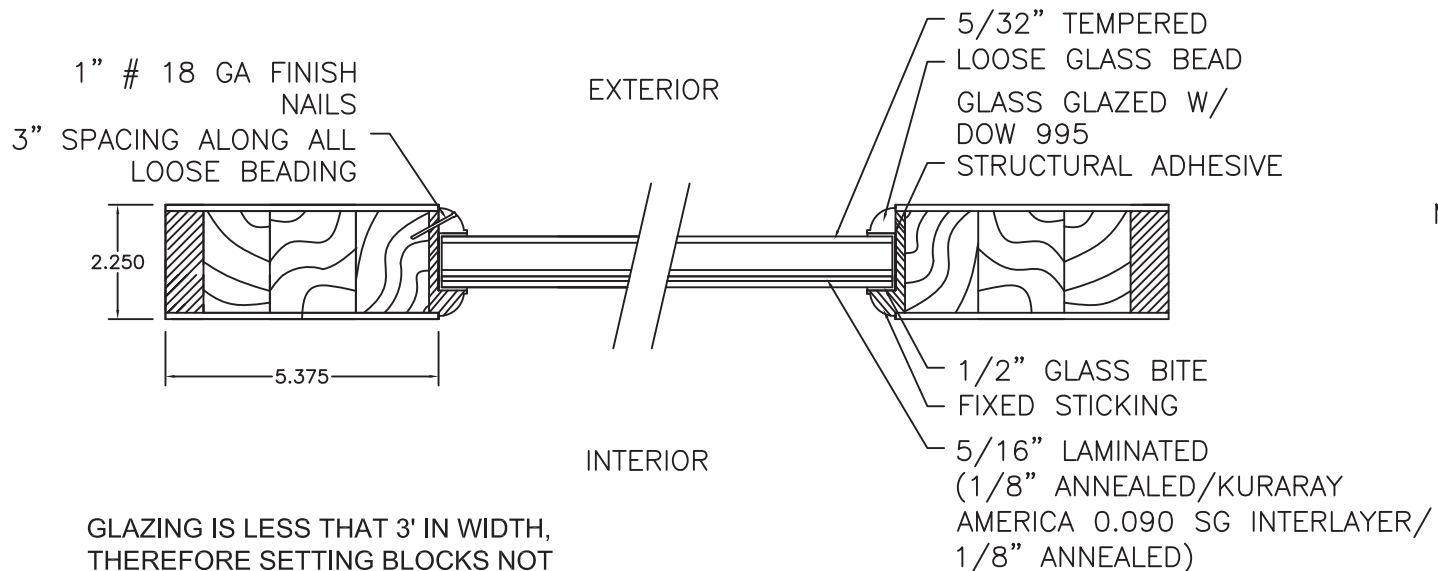
PTC PRODUCT DESIGN GROUP, LLC
1700 WOODBRIDGE BLVD
LONGWOOD, FLORIDA 32752
PHONE: 321.690.1788
FAX: 321.690.1789
EMAIL: info@ptc-corp.com

Robert J. Amoruso, P.E.
Florida P.E. No. 49752



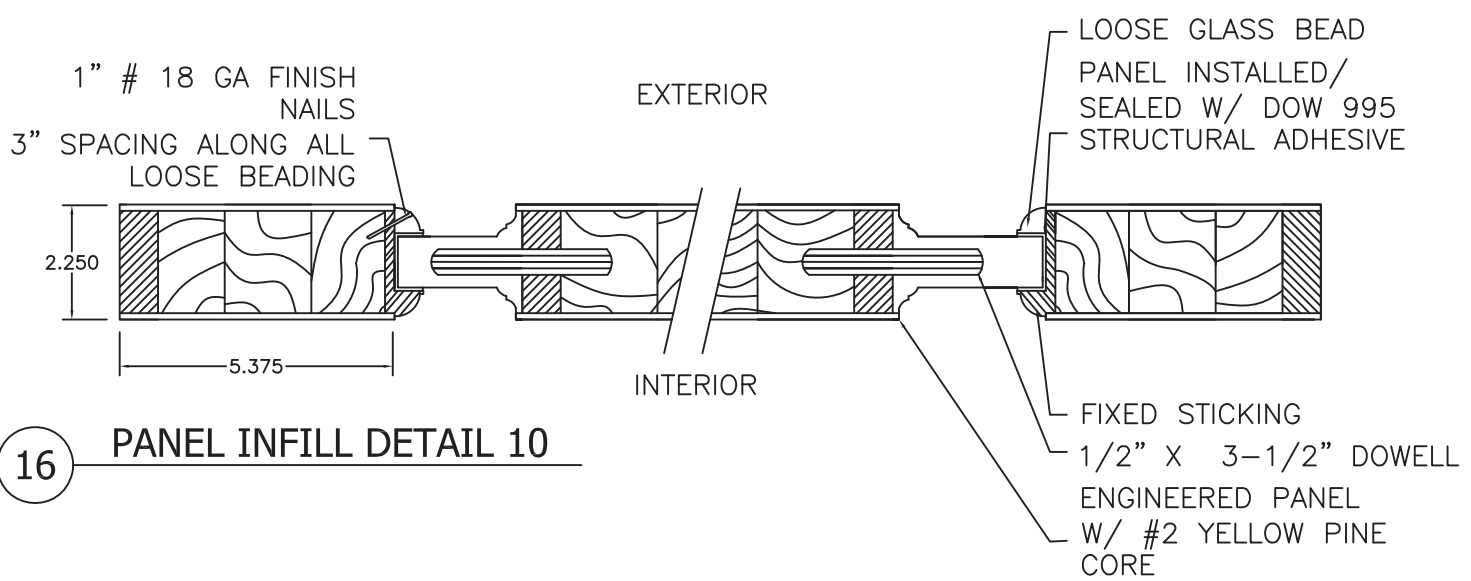
DETAILS

MISCELLANEOUS

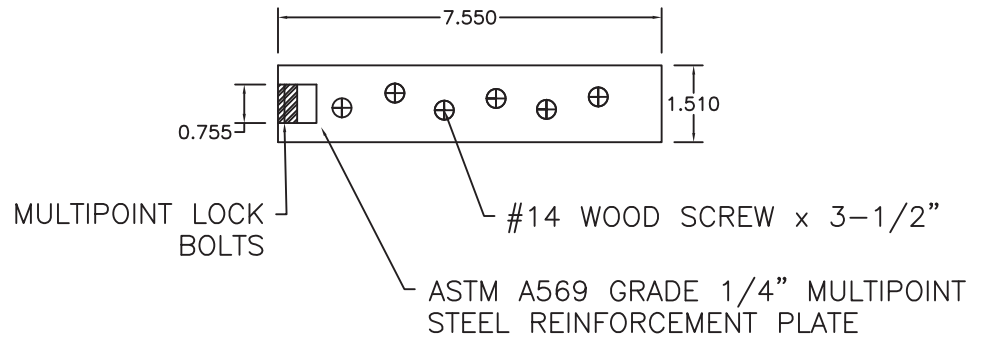


GLAZING IS LESS THAN 3' IN WIDTH, THEREFORE SETTING BLOCKS NOT REQUIRED. IF USED, SETTING BLOCKS SHALL BE NEOPRENE 70-90 SHORE A DUROMETER HARDNESS OR APPROVED EQUAL.

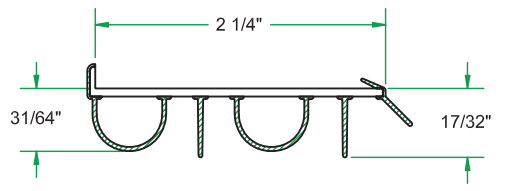
15 PANEL GLAZING DETAIL 9



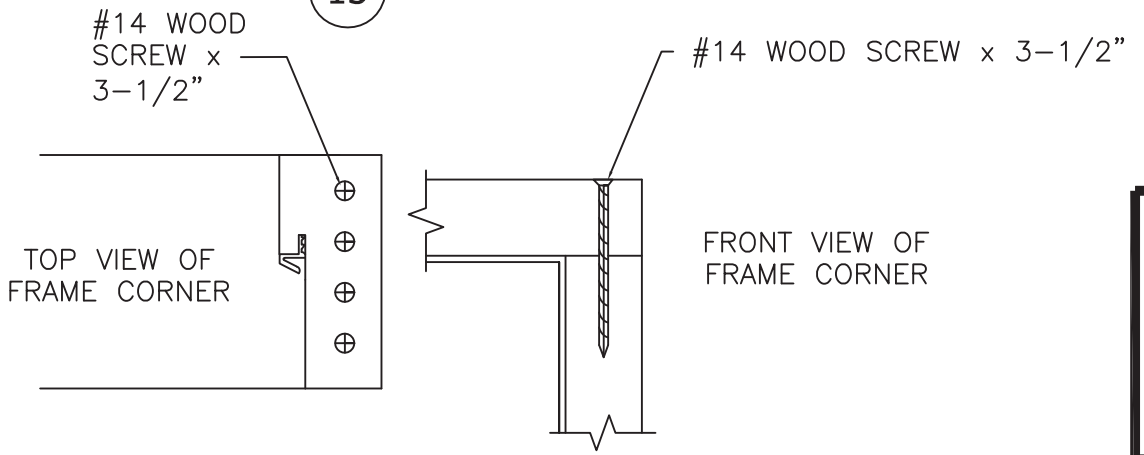
16 PANEL INFILL DETAIL 10



14 REINFORCEMENT PLATE AT MULTIPOINT LOCK



DBS-214
DOOR SWEEP



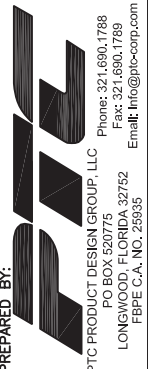
12 FRAME EDGE DETAIL

PROJECT #420-0601

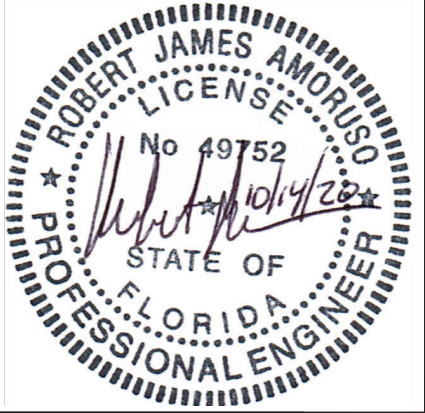
DSA Master Crafted Doors
10681 World Trade Blvd
Raleigh, NC 27617

TITLE: Complete Collection, Single and Double Doors, OUTSWING
DETAILS - MISCELLANEOUS

DATE:	10/10/2020
DRAWING NO.:	DSA0007
SHEET:	10 OF 19
DRAWN BY:	RJA
SCALE:	N.T.S.
REV:	-

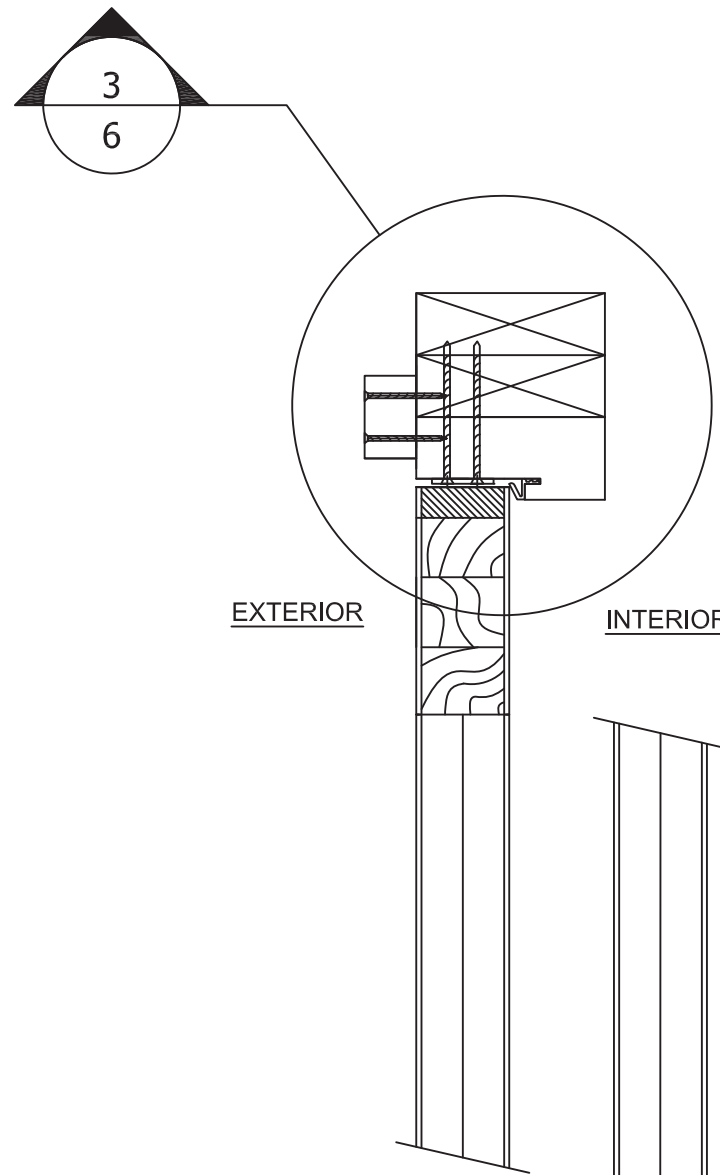


Robert J. Amoruso, P.E.
Florida P.E. No. 49752



SECTIONS

XX DOOR VERTICAL VIEWS 2X WOOD BUCK/FRAMING INSTALLATION



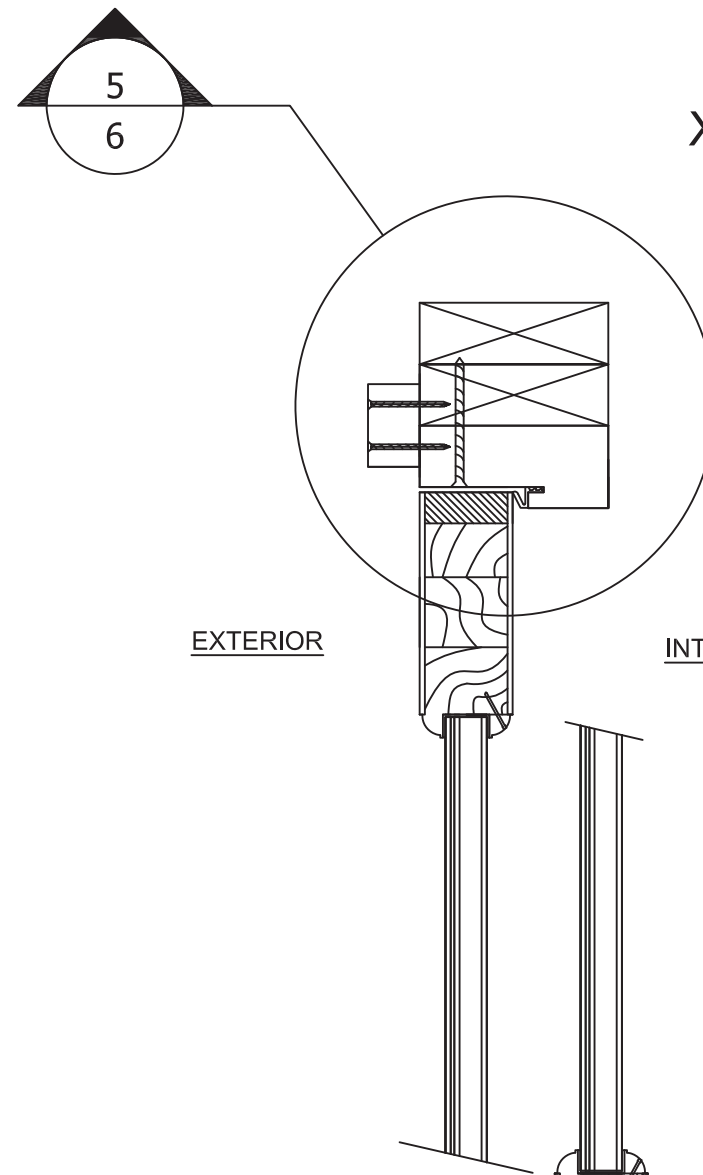
EXTERIOR

INTERIOR

EXTERIOR

INTERIOR

A STILE DOOR SECTION
WOOD SUBSTRATE INSTALLATION



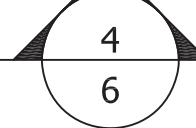
EXTERIOR

INTERIOR

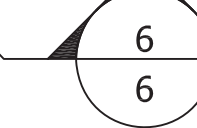
EXTERIOR

INTERIOR

B GLAZED DOOR SECTION
WOOD SUBSTRATE INSTALLATION



4
6



6
6

PROJECT #420-0601

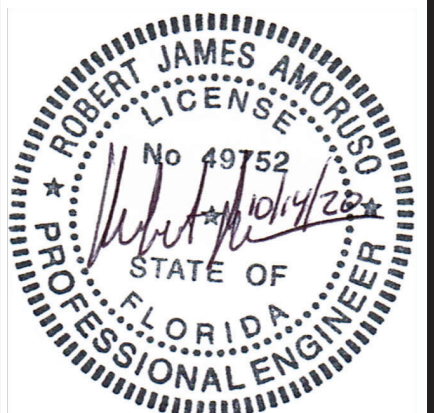
DSA Master Crafted Doors
10681 World Trade Blvd
Raleigh, NC 27617

TITLE: Complete Collection, Single and Double Doors, OUTSWING
SECTIONS - VERTICAL - WOOD INSTALLATION

PREPARED BY: **FBPE**
DRAWN BY: RJA
SCALE: N.T.S.
DATE: 10/10/2020
DRAWING NO.: DSA0007
SHEET: 11 OF 19

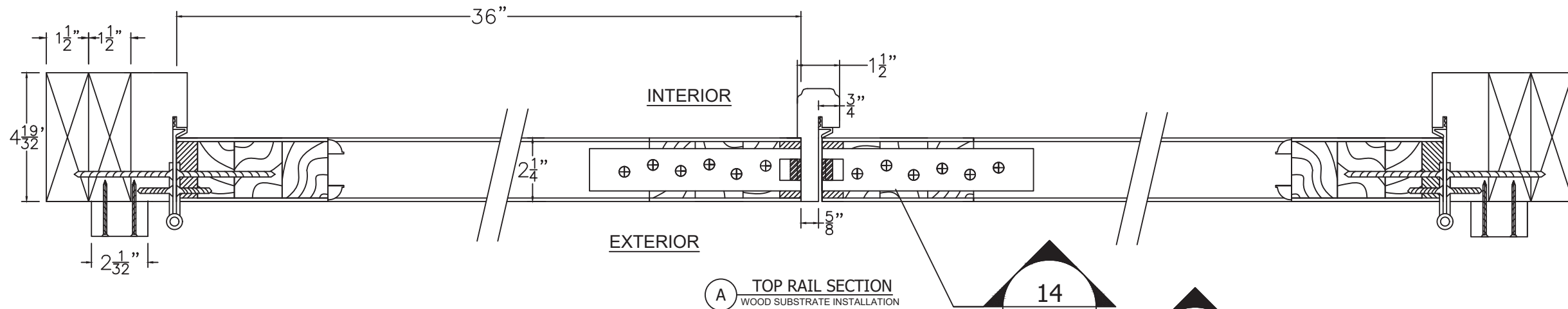
PTC PRODUCT DESIGN GROUP, LLC
PO BOX 520775
LONGWOOD, FLORIDA 32752
Phone: 321.690.1788
Fax: 321.690.1789
Email: info@ptc-corp.com

Robert J. Amoruso, P.E.
Florida P.E. No. 49752

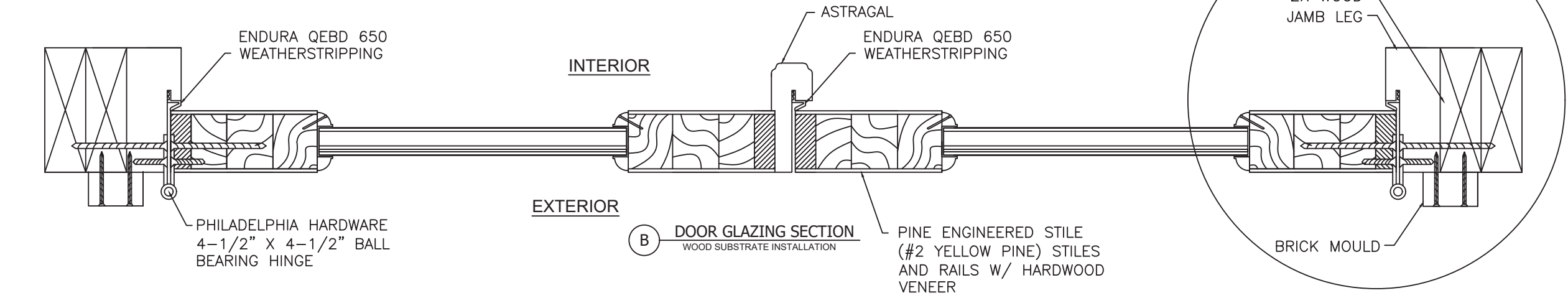


SECTIONS

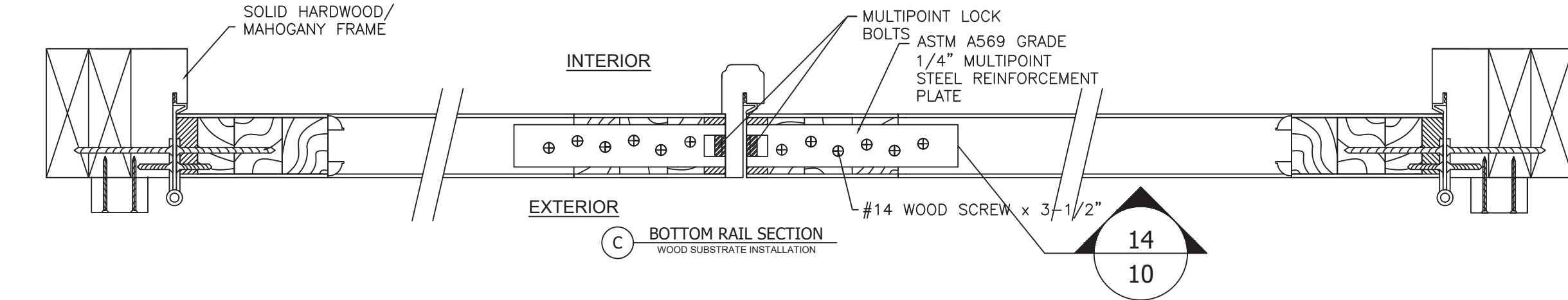
XX DOOR HORIZONTAL VIEWS 2X WOOD BUCK/FRAMING INSTALLATION



(A) TOP RAIL SECTION
WOOD SUBSTRATE INSTALLATION



(B) DOOR GLAZING SECTION
WOOD SUBSTRATE INSTALLATION



(C) BOTTOM RAIL SECTION
WOOD SUBSTRATE INSTALLATION

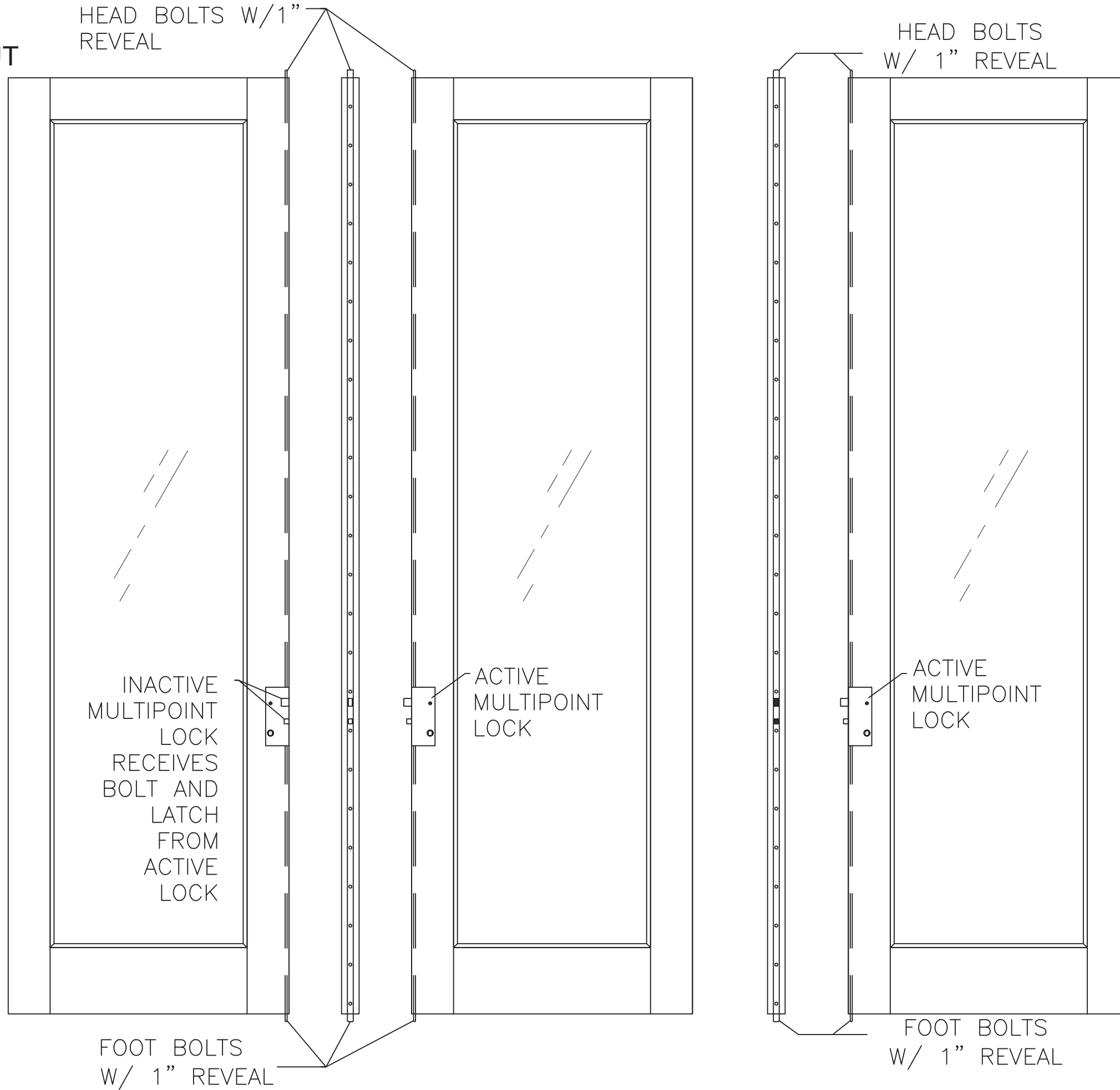
PROJECT #420-0601			
REV	DESCRIPTION	DATE	BY

DSA Master Crafted Doors 10681 World Trade Blvd Raleigh, NC 27617			
DATE:	10/10/2020	DRAWING NO.:	DSA0007
DRAWN BY:	RJA	SCALE:	N.T.S.
PREPARED BY:	---	REV:	---
TITLE: Complete Collection, Single and Double Doors, OUTSWING SECTIONS - HORIZONTAL - WOOD INSTALLATION SHEET: 12 OF 19			
PTC PRODUCT DESIGN GROUP, LLC 10000 W. BOYD AVE. SUITE 300 LONGWOOD, FLORIDA 32752 Phone: 321.690.1788 Fax: 321.690.1789 Email: info@ptc-corp.com			

Robert J. Amoruso, P.E.
Florida P.E. No. 49752

DETAILS

MULTIPOINT LOCK LAYOUT
(SEE SHEET 16 FOR
LOCK DETAIL)



PROJECT #420-0601

DSA Master Crafted Doors
10681 World Trade Blvd
Raleigh, NC 27617

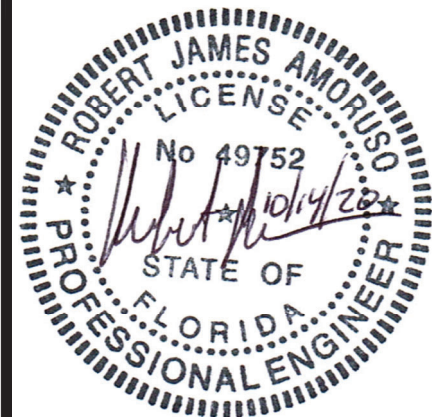
TITLE: Complete Collection, Single and Double Doors, OUTSWING
MULTIPOINT LOCK LAYOUT

PREPARED BY:	DATE:	10/10/2020
DRAWN BY: RJA	DRAWING NO:	DSA0007
SCALE: N.T.S.	REV:	15 OF 19



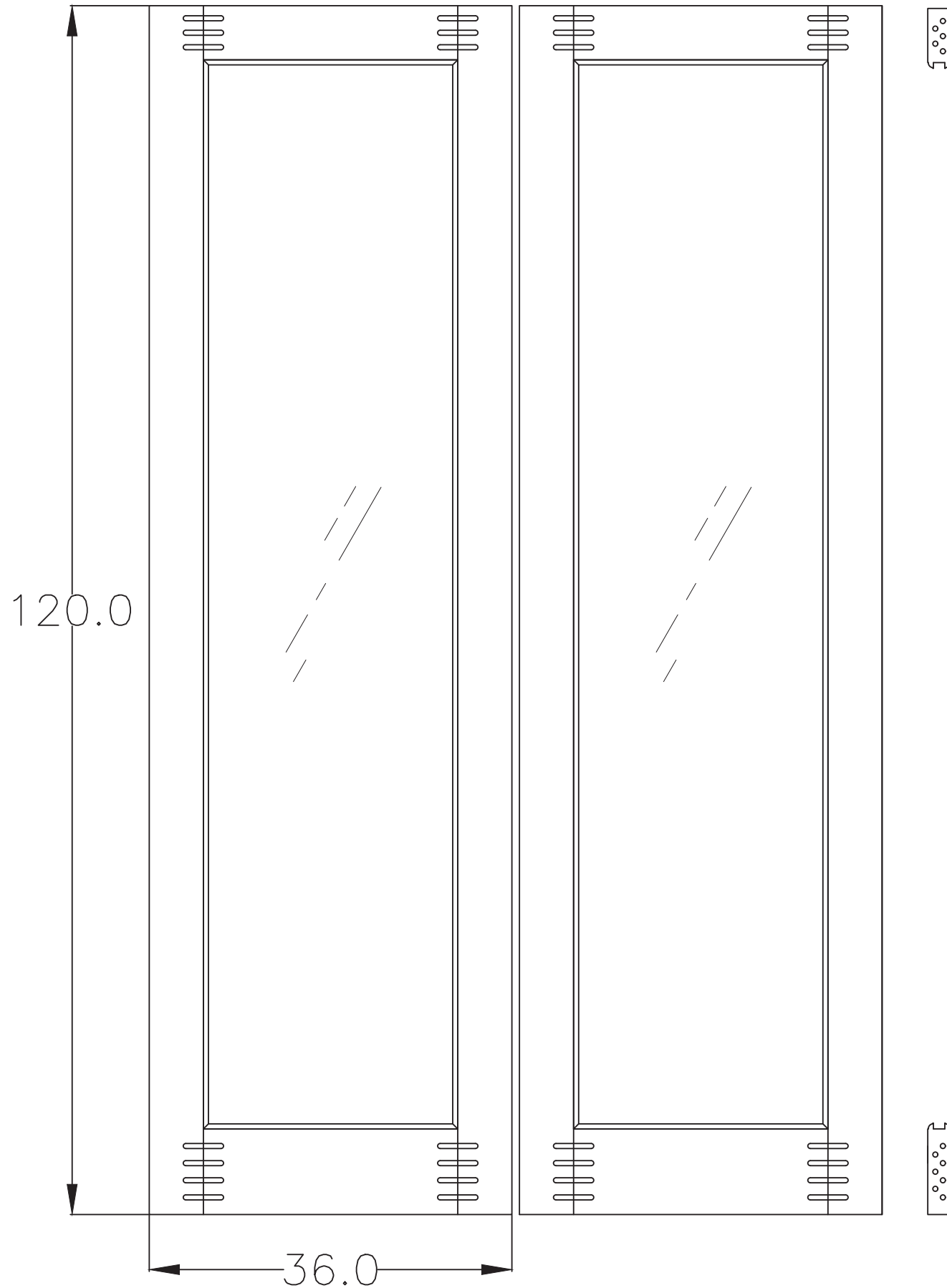
PTC PRODUCT DESIGN GROUP, LLC
LONGWOOD, FLORIDA 32752
FBPE C.A. NO. 25935
Phone: 321.690.1788
Fax: 321.690.1789
Email: info@ptc-corp.com

Robert J. Amoruso, P.E.
Florida P.E. No. 49752



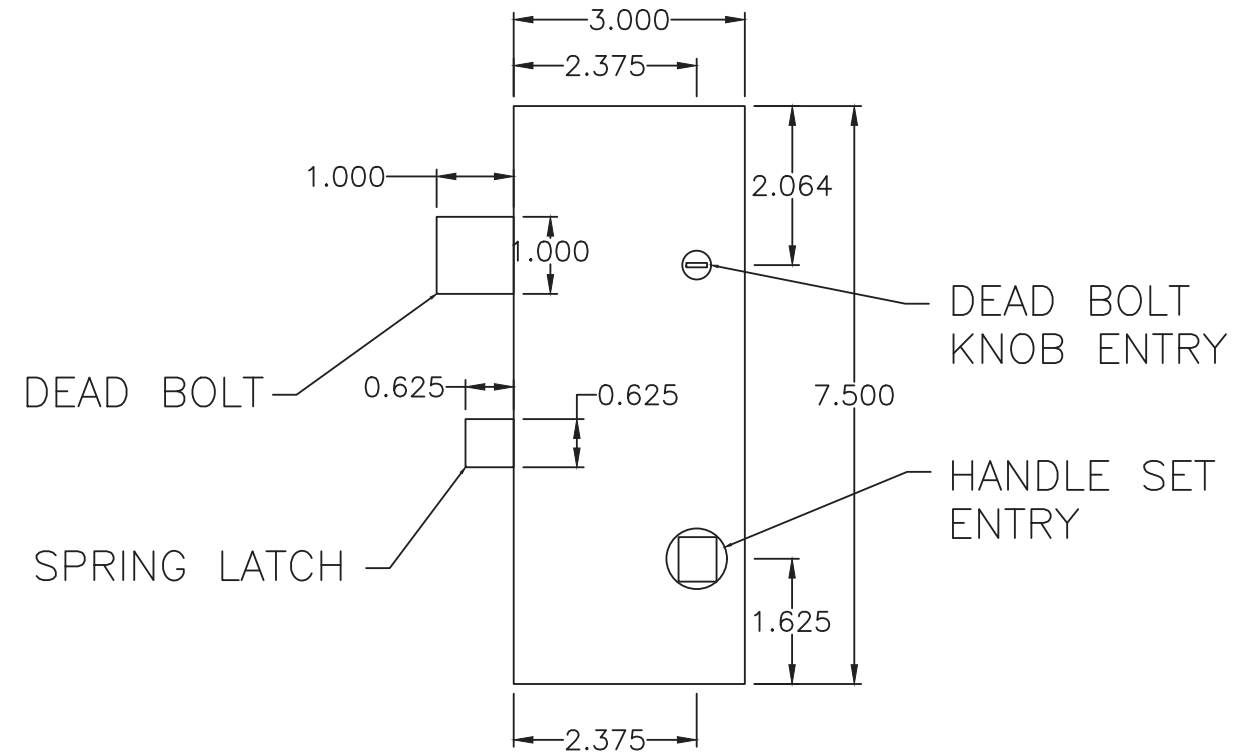
DETAIL

PANEL CONSTRUCTION - DOWEL LOCATION



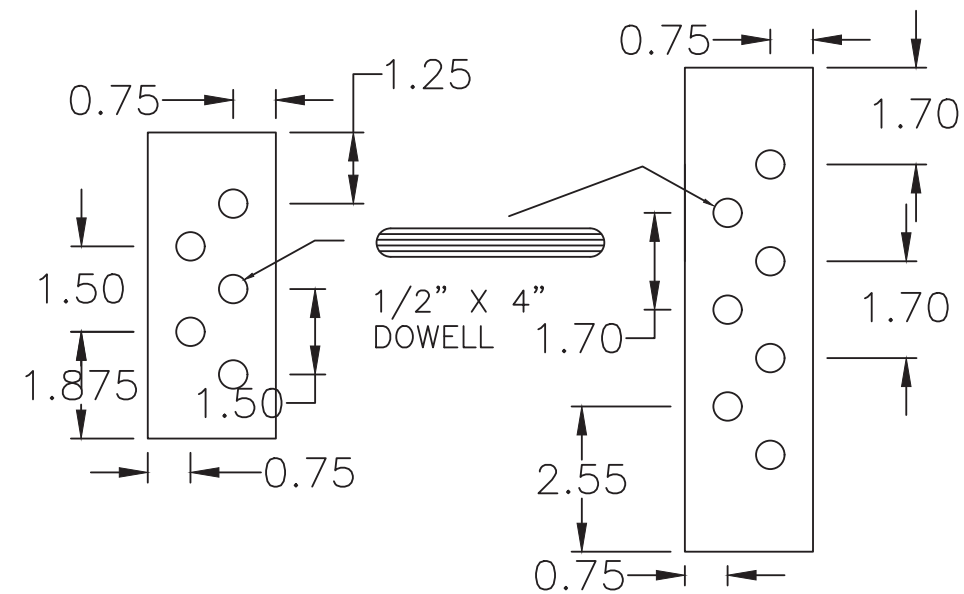
DETAIL

MULTIPOINT LOCK



DETAIL

PANEL CONSTRUCTION - DOWELS



PROJECT #420-0601

DSA Master Crafted Doors
10681 World Trade Blvd
Raleigh, NC 27617

TITLE: Complete Collection, Single and Double Doors, Outswing
PANEL CONSTRUCTION - MULTIPOINT LOCK DETAIL

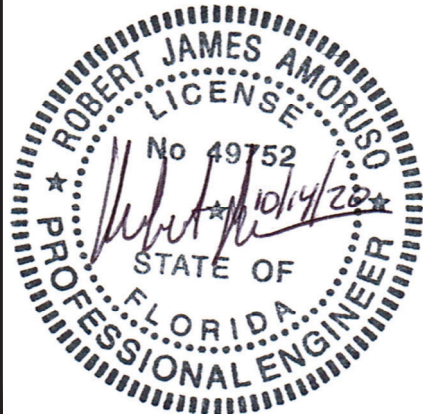
PREPARED BY: DATE: 10/10/2020

DRAWN BY: RJA DRAWING NO: DSA0007

SCALE: N.T.S. SHEET: 16 OF 19

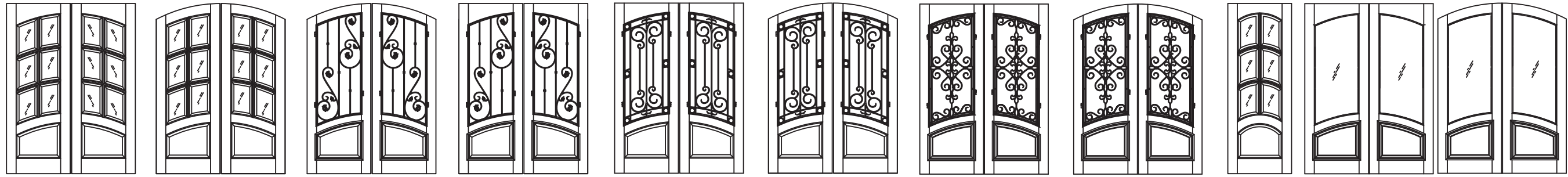


Robert J. Amoruso, P.E.
Florida P.E. No. 49752



APPROVED CONFIGURATIONS

MAXIMUM FRAME, DOOR PANEL AND D.L.O. SIZES SHOWN ON SHEET 2 MUST BE MET.



Aberdeen



Alexandria



Hampshire

Keowee

Louisburg

Oconee

PROJECT #420-0601

REV	DESCRIPTION	DATE	BY

DSA Master Crafted Doors
10681 World Trade Blvd
Raleigh, NC 27617

TITLE: Complete Collection, Single and Double Doors, OUTSWING

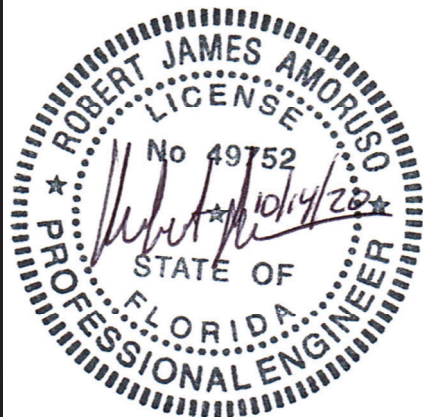
PREPARED BY: APPROVED CONFIGURATIONS

DRAWN BY:	DATE:
RJA	10/10/2020
SCALE:	DRAWING NO.:
N.T.S.	DSA0007
REV:	SHEET:
---	17 OF 19



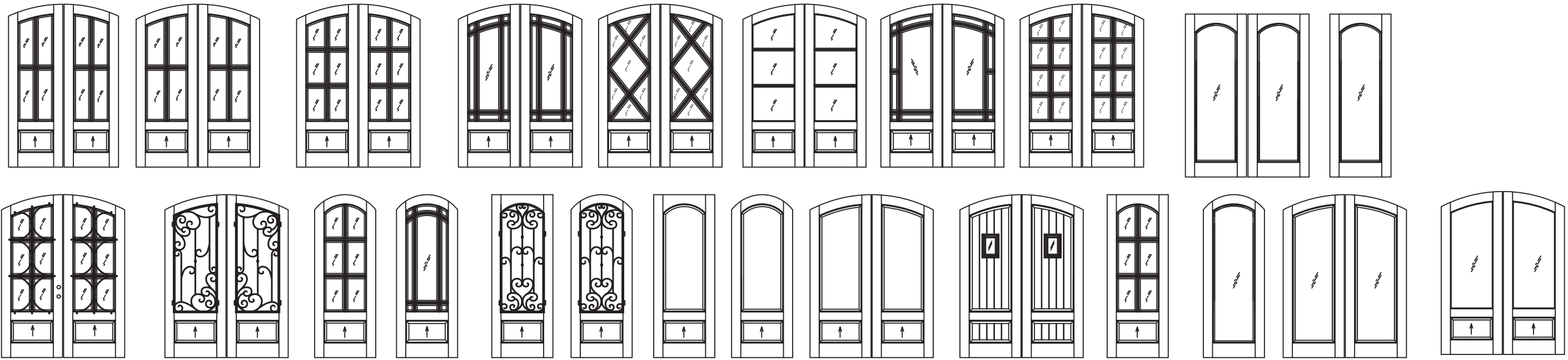
PTC PRODUCT DESIGN GROUP, LLC
Phone: 321.690.1788
LONGWOOD, FLORIDA 32752
Fax: 321.690.1789
Email: info@ptc-corp.com
FBPE C.A. NO. 25935

Robert J. Amoruso, P.E.
Florida P.E. No. 49752

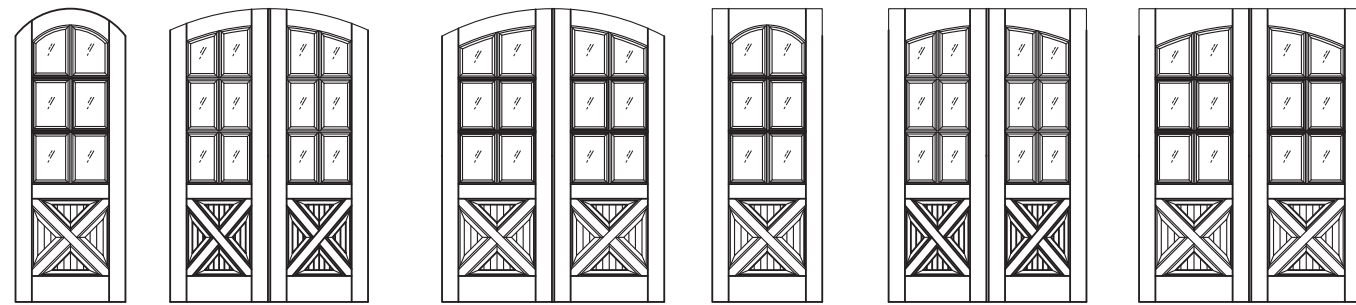


APPROVED CONFIGURATIONS

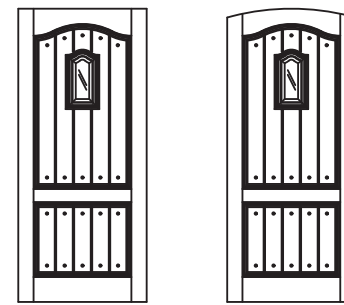
MAXIMUM FRAME, DOOR PANEL AND D.L.O. SIZES SHOWN ON SHEET 2 MUST BE MET.



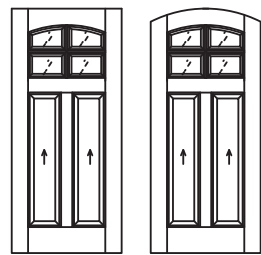
Tiffany



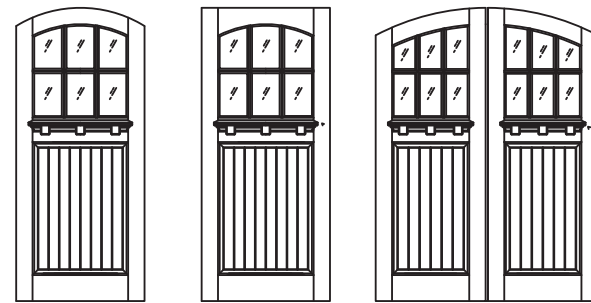
Havasu



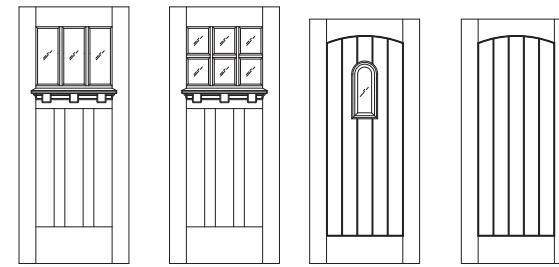
Kenmure



Lakewood



Linville



Tuscany

PROJECT #420-0601

REV	DESCRIPTION	DATE	BY

DSA Master Crafted Doors
10681 World Trade Blvd
Raleigh, NC 27617

TITLE: Complete Collection, Single and Double Doors, OUTSWING

PREPARED BY: APPROVED CONFIGURATIONS

DATE: 10/10/2020

DRAWING NO: DSA0007

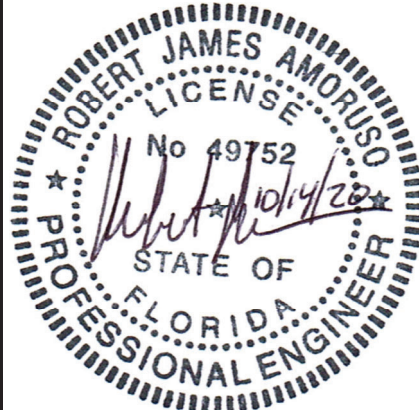
SCALE: N.T.S.

REV: --- SHEET: 18 OF 19



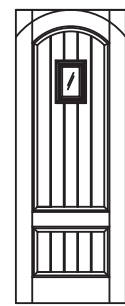
PTC PRODUCT DESIGN GROUP, LLC
10681 World Trade Blvd
Raleigh, NC 27617
Phone: 321.690.1788
Fax: 321.690.1789
Email: info@ptc-corp.com

Robert J. Amoruso, P.E.
Florida P.E. No. 49752

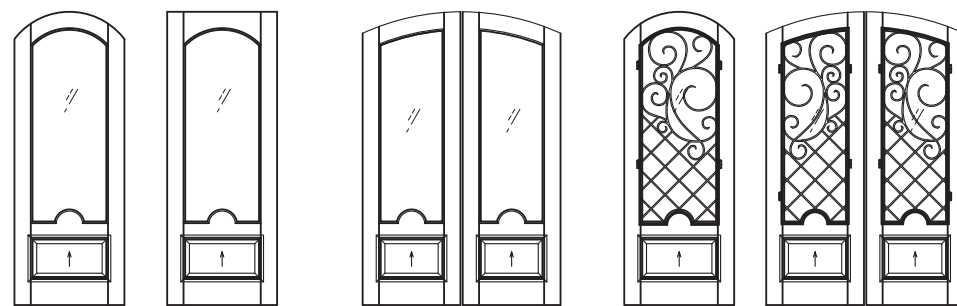


APPROVED CONFIGURATIONS

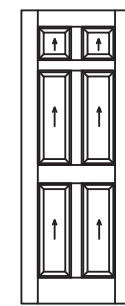
MAXIMUM FRAME, DOOR PANEL AND D.L.O. SIZES SHOWN ON SHEET 2 MUST BE MET.



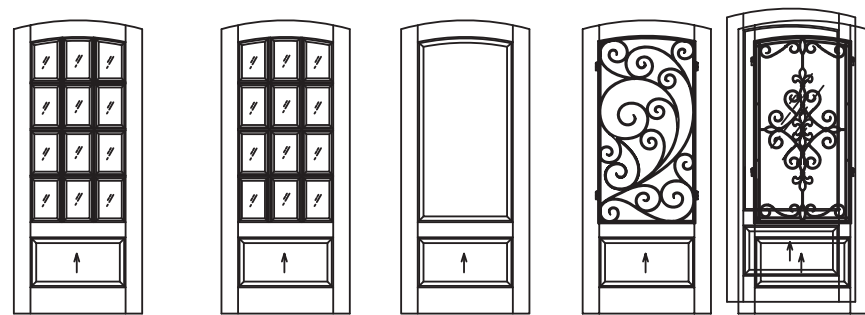
Briarcliff



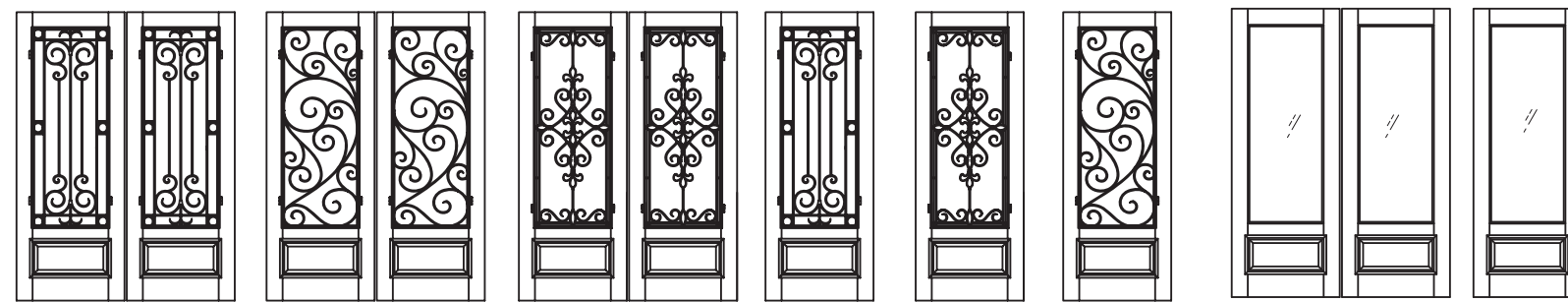
Marseille



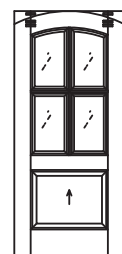
Colonial



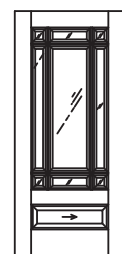
Trinity



Wakefield



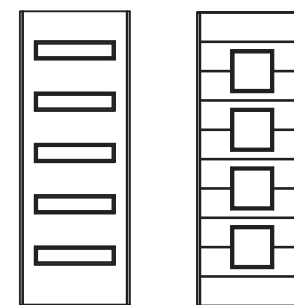
Brentwood



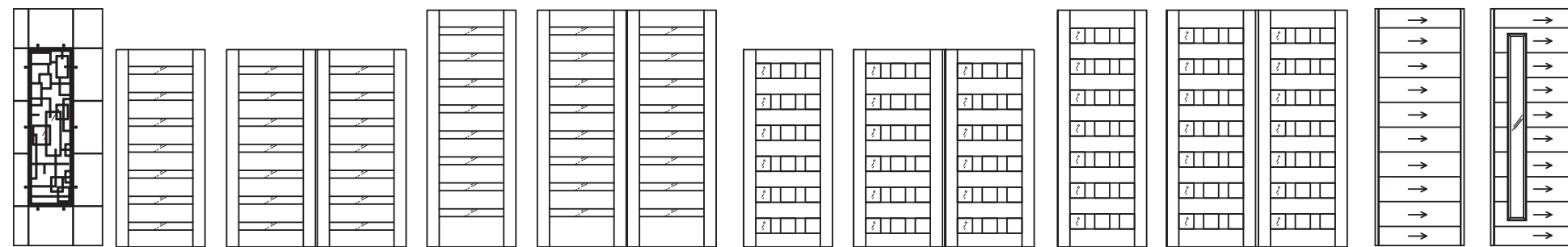
Madison



Seville



Urban



Milan

PROJECT #420-0601

DSA Master Crafted Doors
10681 World Trade Blvd
Raleigh, NC 27617

TITLE: Complete Collection, Single and Double Doors, OUTSWING
APPROVED CONFIGURATIONS

DRAWN BY:	RJA	DATE:	10/10/2020
SCALE:	N.T.S.	DRAWING NO.:	DSA0007
REV:	---	SHEET:	19 OF 19



Robert J. Amoruso, P.E.
Florida P.E. No. 49752

